

Nest US1.1

48 x 40

CPP 100 | CPP 103



Nestable, extremely light weight plastic pallet in imperial units 48" x 40"
The new Nest US 1.1 with its 5.0 kg becomes the lightest 48x40inch pallet in our program. It is excellently suited for one-way shipping and air cargo.

Bottom support



> 9 feet (9F)



> 3 runners (3R)

Deck options



> open deck (OD)



> closed deck (CD)

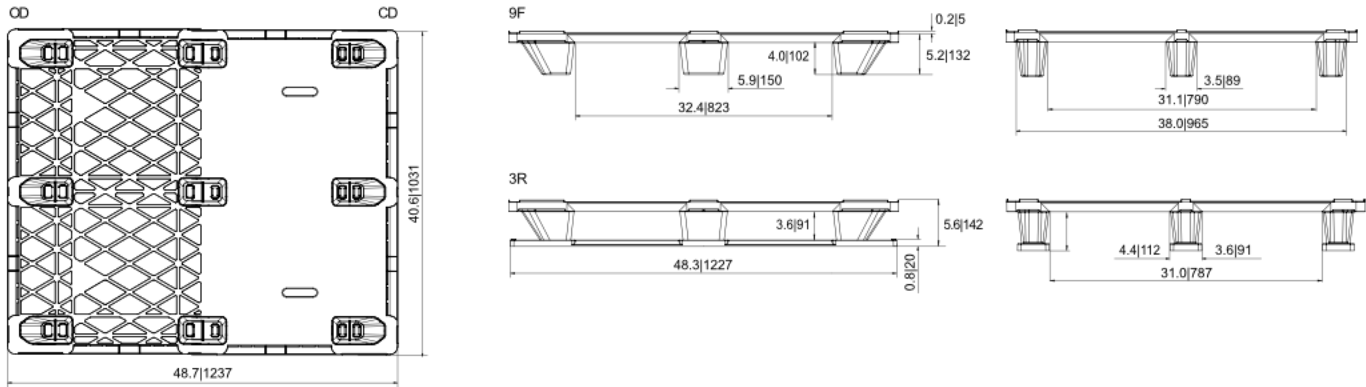


Excellently suited for air cargo

Technical data*1

	Previous name	Bottom support	Top deck	Dimensions [in] / [mm]	Load capacities*2 [lbs] / [kg]			Weight [lbs] / [kg]			
					Static	Dynamic	Racking	HDPE		ACM	
Nest US1.1(OD-9F)	CPP 100	9 feet, nestable	open	48.0 x 40.0 x 5.2	3500	2200	—	11.0	5.0	12.0	5.5
Nest US1.1(CD-9F)	CPP 100c		closed	1219 x 1016 x 132	1600	1000		14.0	6.5	16.5	7.5
Nest US1.1(OD-3R)	CPP 103	3 runners, snap-on	open	48.0 x 40.0 x 5.6	6600	2800	—	15.5	7.0	16.5	7.5
Nest US1.1(CD-3R)	CPP 103c		closed	1219 x 1016 x 142	3000	1250		20.0	9.0	23.0	10.5

Entry: 4 ways | Nesting height: 1.5in / 38 mm | Safetyrim: 0.2in / 5 mm



nominal sizes in inch | mm

Options

Color: (other colors on request³) > Individual marking³

Anti-slip: safety rim (standard)

ESD prevention: —



*1 Figures can vary depending on the raw material used and options applied. *2 Guideline values are based both on experience and parts of test ISO 8611, which tests with evenly distributed loads at room temperature (68°F / 20°C). Varying data may result from different conditions of usage. Your specific requirements can be identified upon request. *3 Minimum quantity required ACM pallets should only be used and stored in a dry environment. We reserve the right to change any of the stated information without prior notice.