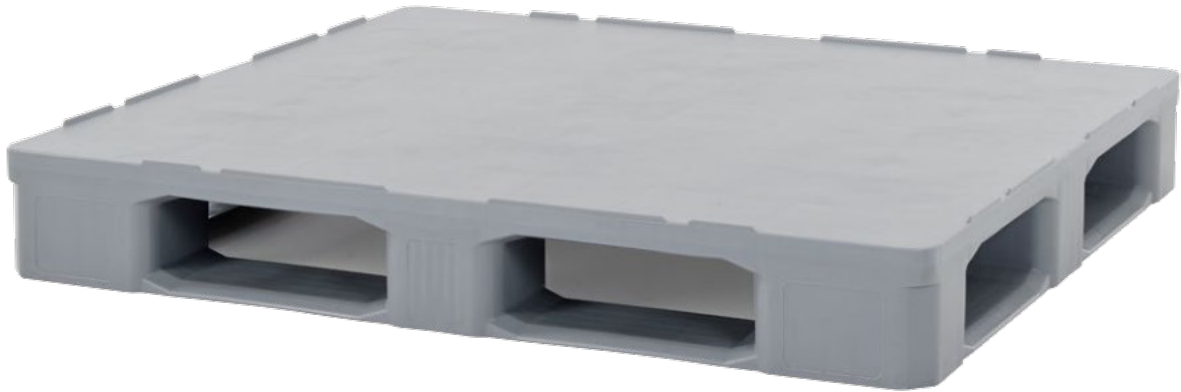


# Hygienic i7.1 | 48 x 40



### The New Hygienic Pallet

The Hygienic i7.1 is ideal for food, meat, and pharmaceutical logistics and for all situations where a perfect combination of mechanical performance and highest hygiene requirements is needed. New internal rounded corners ensure the smoothest transition through automated conveyorsystems and minimize the risk of pallets getting trapped and damaged. Manufactured from the highest food-grade virgin HDPE, the pallet has totally smooth, sealed surfaces, which prevent the accumulation of dirt and dust.

#### Bottom support



> 3 runners (3R)



> 5 runners (5R)



New internal rounded corners.

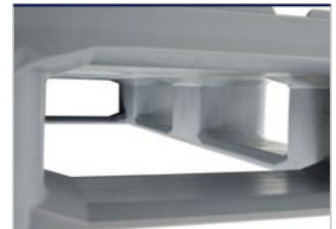
#### Deck options



> closed deck (CD)



Special angle permitting easy stretch wrapping.

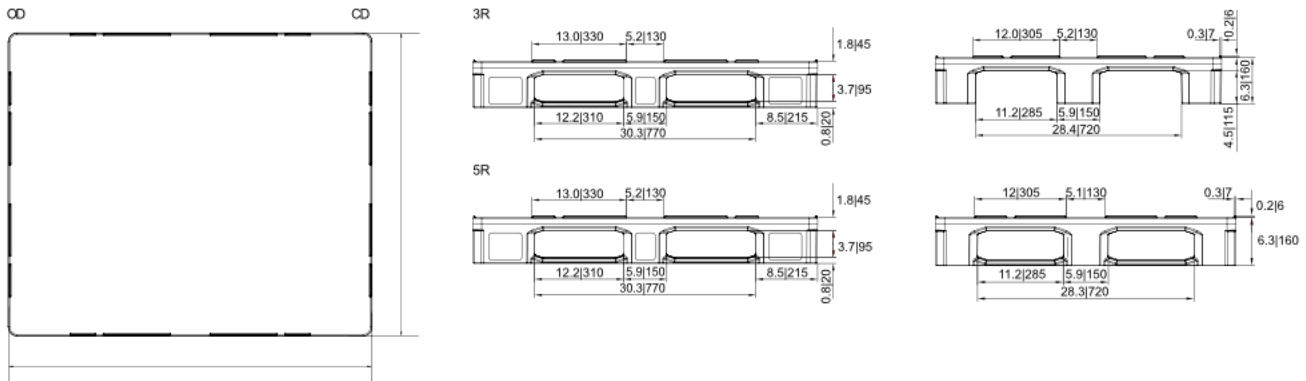


A curved sloping ramp up and down the internal blocks prevents fork arms from misaligning the pallet.

## Technical data\*1

	Previous name	Bottom support	Top deck	Dimensions [in] / [mm]	Load capacities*2 [lbs] / [kg]			Weight [lbs] / [kg]	
					Static	Dynamic	Racking	HDPE	ACM
Hygienic i7.1 (CD-3R)	—	3 runners	closed	47.2 x 39.4 x 6.3 1200 x 1000 x 160	11000 5000	5500 2500	2750 1250	48.5	22.0
Hygienic i7.1 (CD-5R)		5 runners						50.5	23.0

Entry: 4 ways | Nesting height: — | Safetyrim: 0.2 in / 6 mm



nominal sizes in inch | mm

## Options

- Color:    (other colors on request\*3) > Individual marking\*3
- Anti-slip: safety rim, strips on deck, strips under deck, rubber inserts under blocks > RFID transponders  
> Fire retardant
- ESD prevention: anti-static, conductive



\*1 Figures can vary depending on the raw material used and options applied. \*2 Guideline values are based both on experience and parts of test ISO 8611, which tests with evenly distributed loads at room temperature (68°F / 20°C). Varying data may result from different conditions of usage. Your specific requirements can be identified upon request. \*3 Minimum quantity required ACM pallets should only be used and stored in a dry environment. We reserve the right to change any of the stated information without prior notice.