

Nest H3

32 x 24

CPP 200



Nestable plastic half pallet

As a sustainable half pallet, the Nest H3 is impressive for its simple, secure handling. Its rounded corners, smooth surfaces and low weight offer decisive advantages when empty pallets must be moved and stacked.

Bottom support



> 6 feet (6F)

Deck options



> open deck (OD)



Available without safety rim (optional)



Safe and easy handling due to rounded edges.



Easy extraction out of pallet stack.

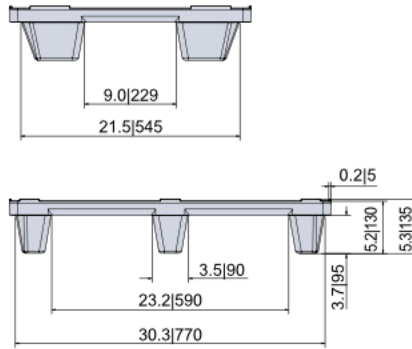
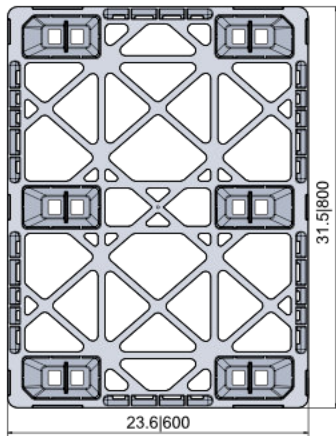


Pallet stack is accessible with forklift tine.

Technical data*1

	Previous name	Bottom support	Top deck	Dimensions [in] / [mm]	Load capacities*2 [lbs] / [kg]			Weight [lbs] / [kg]	
					Static	Dynamic	Racking	HDPE	ACM
Nest H3 (OD-6F)	CPP200	6 feet, nestable	open	31.5 x 23.6 x 5.1 800 x 600 x 130	5500 2500	2200 1000	—	7.5 3.5	9.0 4.0

Entry: 2 ways | Nesting height: 2.2 in / 55 mm | Safetyrim: 0.2 in / 5 mm (optional without)



nominal sizes in inch | mm

Options

Color: (other colors on request³) > Individual marking³

Anti-slip: safety rim

ESD prevention: —



*1 Figures can vary depending on the raw material used and options applied. *2 Guideline values are based both on experience and parts of test ISO 8611, which tests with evenly distributed loads at room temperature (68°F / 20°C). Varying data may result from different conditions of usage. Your specific requirements can be identified upon request. *3 Minimum quantity required ACM pallets should only be used and stored in a dry environment. We reserve the right to change any of the stated information without prior notice.

Toll Free: 1 (877) 979-8940 | Tel: (403) 279-8940 | Fax: (403) 225-1696 | Email: customerservice@ak-westinc.com

www.ak-westinc.com