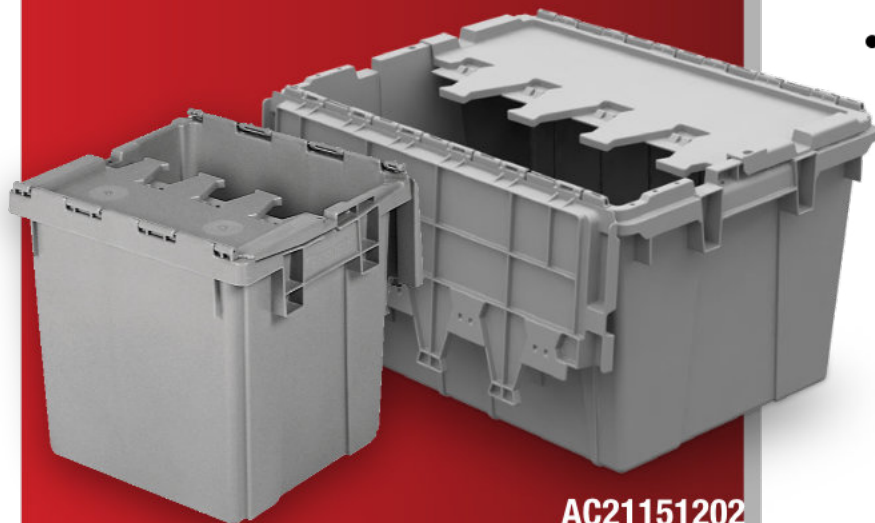


ATTACHED LID CONTAINERS

The proven balance of strength and versatility

Ak-West Inc. attached lid containers offer superior strength, and resistance to outer damage, helping protect contents. These containers feature a multi-interlocking teeth lid design for added durability and large ergonomic handles for easy lifting.

Ak-West Inc. offers attached lid totes in many sizes and styles for shipping, picking and storing. Ideal for applications in distribution, grocery, retail, wholesale pharmaceutical and general manufacturing, the containers deliver long-lasting, cost-saving performance.



AR15141300

AC21151202

AK AK-WEST INC.

Delivering Value Beyond the Box

- Improved “finger style” lid design adds strength and durability
- Larger ergonomic handles and a lighter-weight design support easy lifting
- Additional bottomcorner strength for impact resistance
- Containers nest with lids open for maximum space usage
- Easy-to-clean interiors
- Injection-molded HDPE construction resists impact, moisture and most chemicals
- Use with temperatures of -20° to 120° F
- Large textured area on one end for labels, which eliminates need for placards
- Other customization and identification options available
- Backed by a one-year limited warranty
- 100% recyclable

For more information, contact your local Ak-West Inc. sales representative or call 1 (877) 979-8940.

PRODUCT SPECIFICATIONS		AR15141300	AR20120702	AC21150902	AC21151202	AR21151702
	Description	Attached Lid Container	Attached Lid Container	Attached Lid Container	Attached Lid Container	Attached Lid Container
	External Dimensions (Outside Top)					
	Length	14.75"	20.00"	21.80"	21.80"	21.80"
	Width	13.50"	11.70"	15.25"	15.25"	15.25"
	Height	13.31"	7.50"	9.37"	12.50"	17.00"
	Internal Dimensions (Inside Bottom)					
	Length	11.25"	16.90"	18.40"	17.90"	17.90"
	Width	11.25"	9.60"	13.00"	12.50"	12.50"
	Usable Height	11.88"	6.10"	8.10"	11.10"	15.90"
Tare Weight	4.98 lbs.	3.80 lbs.	5.20 lbs.	5.60 lbs.	6.90 lbs.	
Capacity*						
Weight	50.00 lbs.	40.00 lbs.	60.00 lbs.	60.00 lbs.	60.00 lbs.	
Volume	0.87 cu. ft.	0.60 cu. ft.	1.10 cu. ft.	1.40 cu. ft.	2.10 cu. ft.	
Shipping						
Pallet Quantity	160	210	156	136	120	

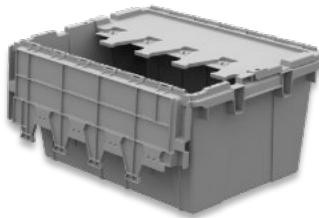
*Capacity is dependent upon application and use environment. Check with Ak-West Inc. for suitability in your application. Specifications subject to change without notice. All dimensions are approximate.



AR15141300



AR20120702



AC21150902



AC21151202



AR21151702



www.ak-westinc.com

Toll Free: 1 (877) 979-8940 | Tel: (403) 279-8940 | Email: customerservice@ak-westinc.com

For more information, contact your local Ak-West Inc. sales representative or call 1 (877) 979-8940.

PRODUCT SPECIFICATIONS		AR24201202	AR27170902	AR27171202	AS28211502	AS34242012
	Description	Attached Lid Container	Attached Lid Container	Attached Lid Container	Attached Lid Container	Attached Lid Container
	External Dimensions (Outside Top)					
	Length	24.00"	27.00"	27.00"	28.00"	34.00"
	Width	19.50"	16.60"	16.90"	20.80"	24.00"
	Height	12.50"	9.63"	12.50"	15.40"	19.60"
	Internal Dimensions (Inside Bottom)					
	Length	20.50"	23.88"	23.50"	25.00"	29.90"
	Width	16.60"	14.13"	13.80"	18.00"	19.50"
	Usable Height	10.80"	8.00"	10.80"	14.00"	18.10"
Tare Weight	2.30 lbs.	7.52 lbs.	8.20 lbs.	12.60 lbs.	19.00 lbs.	
Capacity*						
Weight	80.00 lbs.	80.00 lbs.	100.00 lbs.	100.00 lbs.	100.00 lbs.	
Volume	2.30 cu. ft.	1.56 cu. ft.	2.30 cu. ft.	3.60 cu. ft.	6.10 cu. ft.	
Shipping						
Pallet Quantity	144	81	112	30	22	

*Capacity is dependent upon application and use environment. Check with Ak-West Inc. for suitability in your application. Specifications subject to change without notice. All dimensions are approximate.



AR24201202



AR27170902



AR27171202



AS28211502



AS34242012



www.ak-westinc.com

Toll Free: 1 (877) 979-8940 | Tel: (403) 279-8940 | Email: customerservice@ak-westinc.com